**WARNING**

1. Before start check if you have all components and tools.
2. Expedition-Gear will not be responsible for any damage caused by the failure to install the product.
3. Improper installation may result in bodily injury, death or car accident hence products must be checked prior to use, properly and securely assembled and attached to vehicle and periodically inspected.

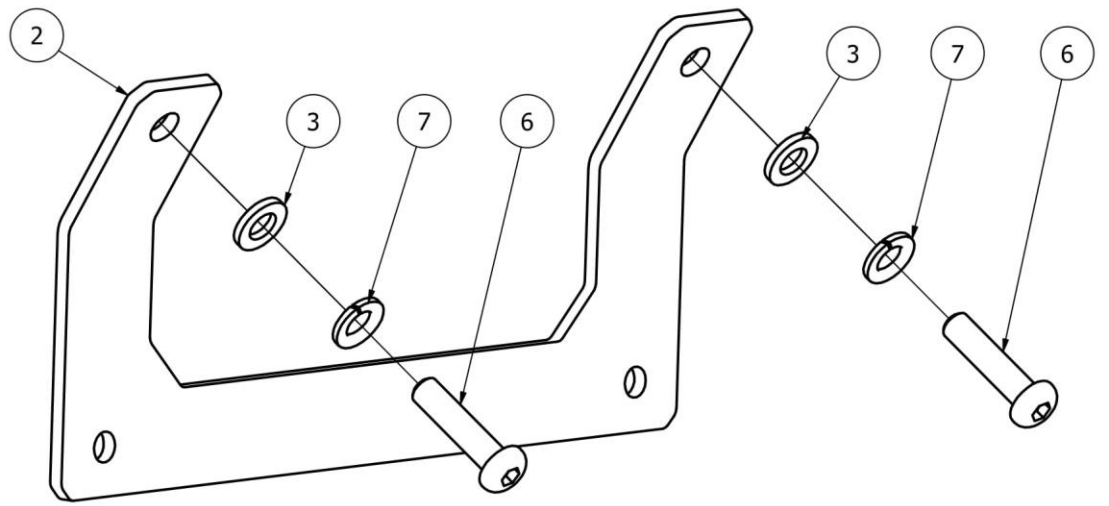
**STEPS**

1. Unscrew the rear grab handle points.
2. Install mounts according to the scheme 1.
3. Install the shelf according to the scheme 2.

**PARTS LIST**

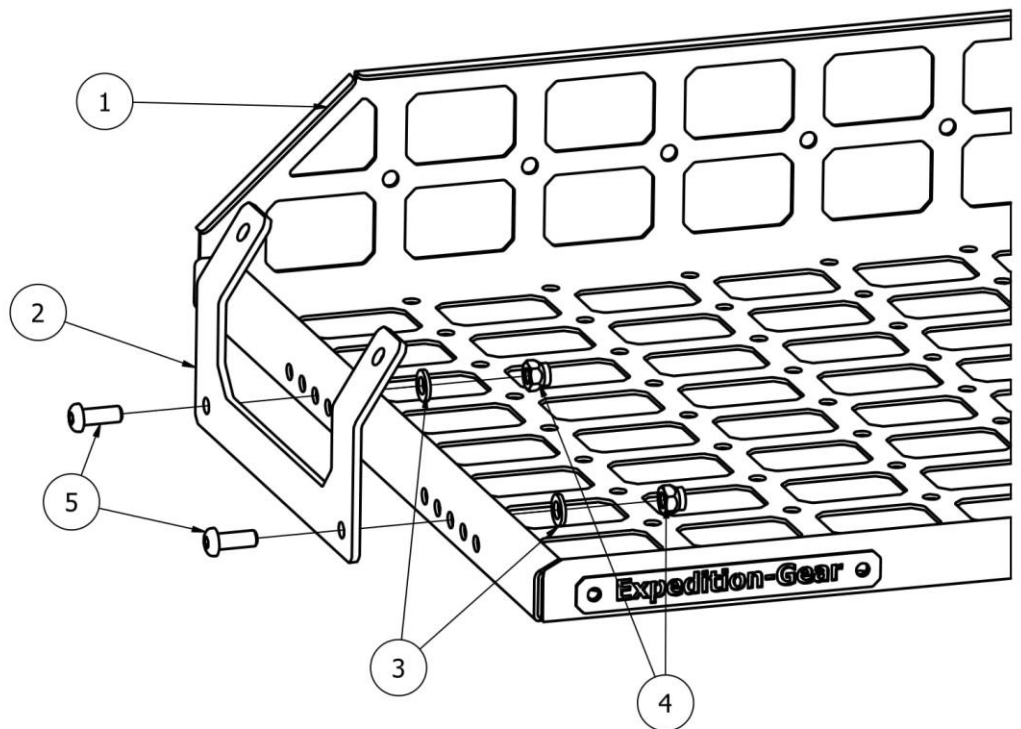
Parts list		
PART NUMBER	QUANTITY	PARTS LIST
1	1	Expedition shelf
2	2	Mount
3	8	Washer - M6
4	4	Nut - M6
5	4	Screw - M6 x 14
6	4	Screw - M6 x 25
7	4	Spring washer - M6

1



PARTS LIST	
PART NUMBER	PART
2	Mount
3	Washer - M6
6	Screw - M6 x 25
7	Spring washer - M6

2



PARTS LIST	
PART NUMBER	PART
1	Expedition shelf
2	Mount
3	Washer - M6
4	Nut - M6
5	Screw - M6 x 14



**TAG US! #accessoriesforadventure #expeditiongear**